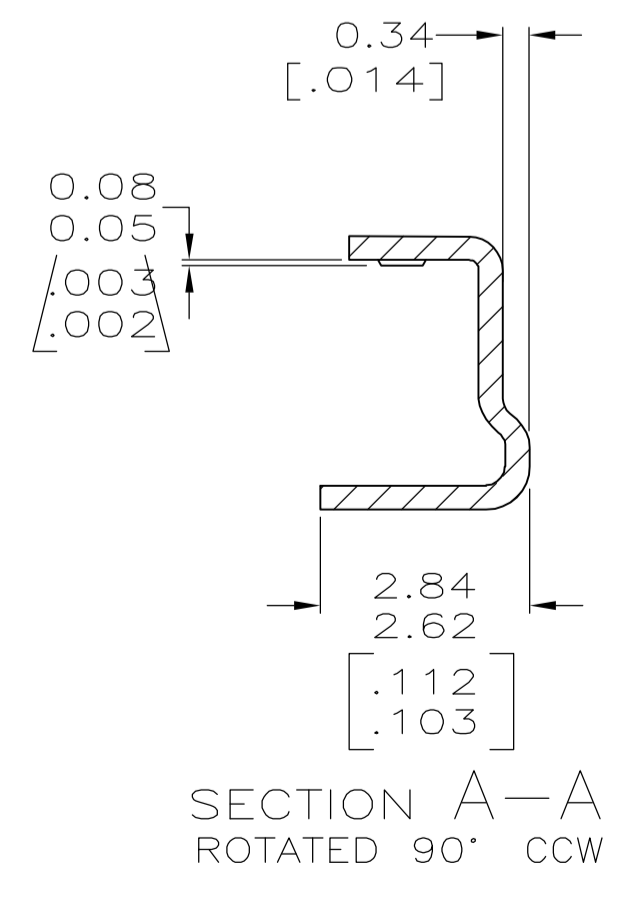
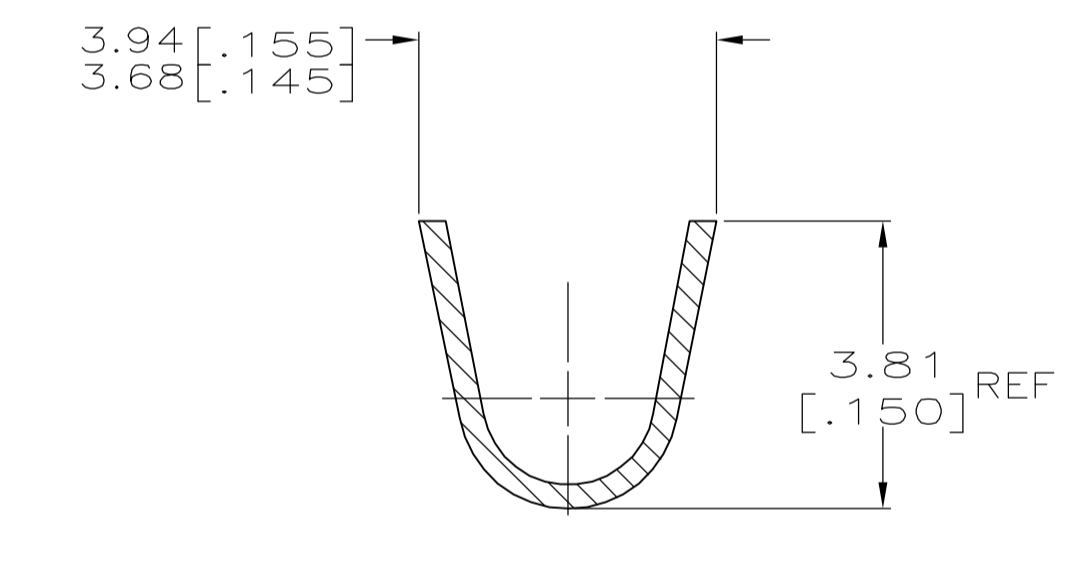
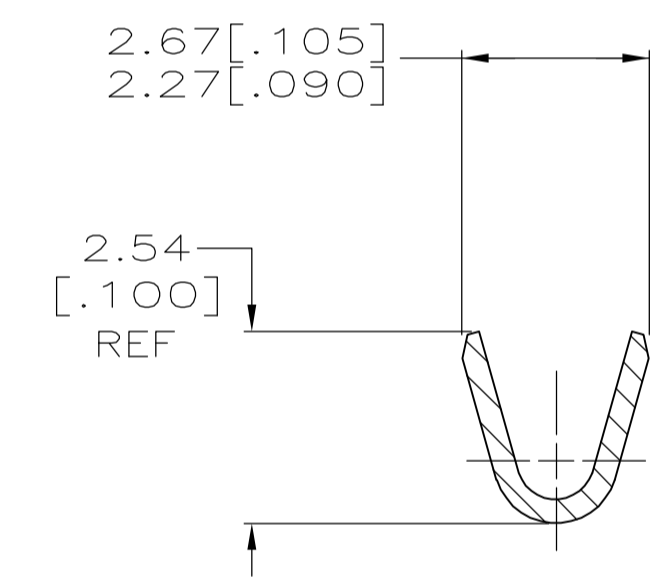
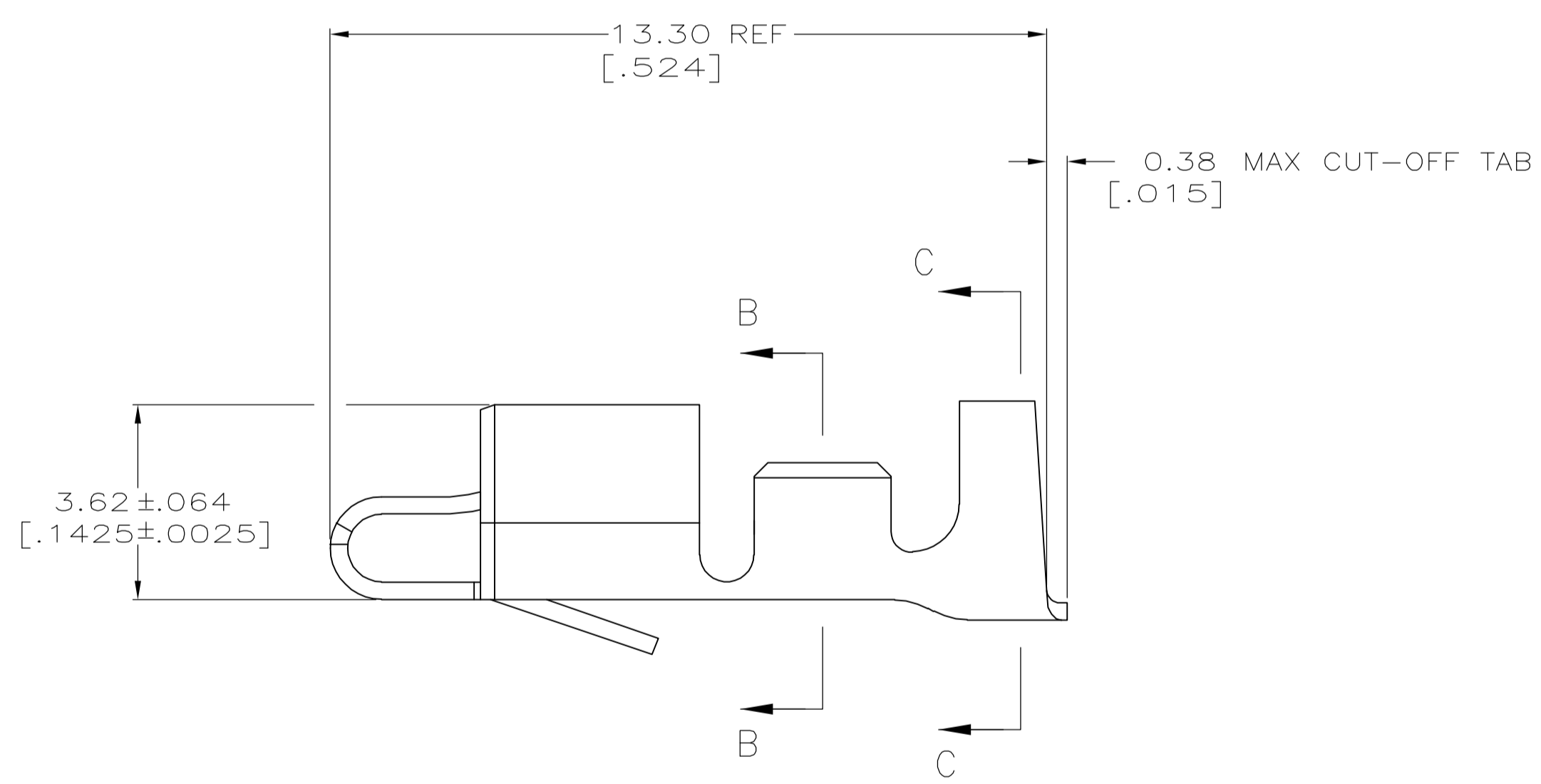
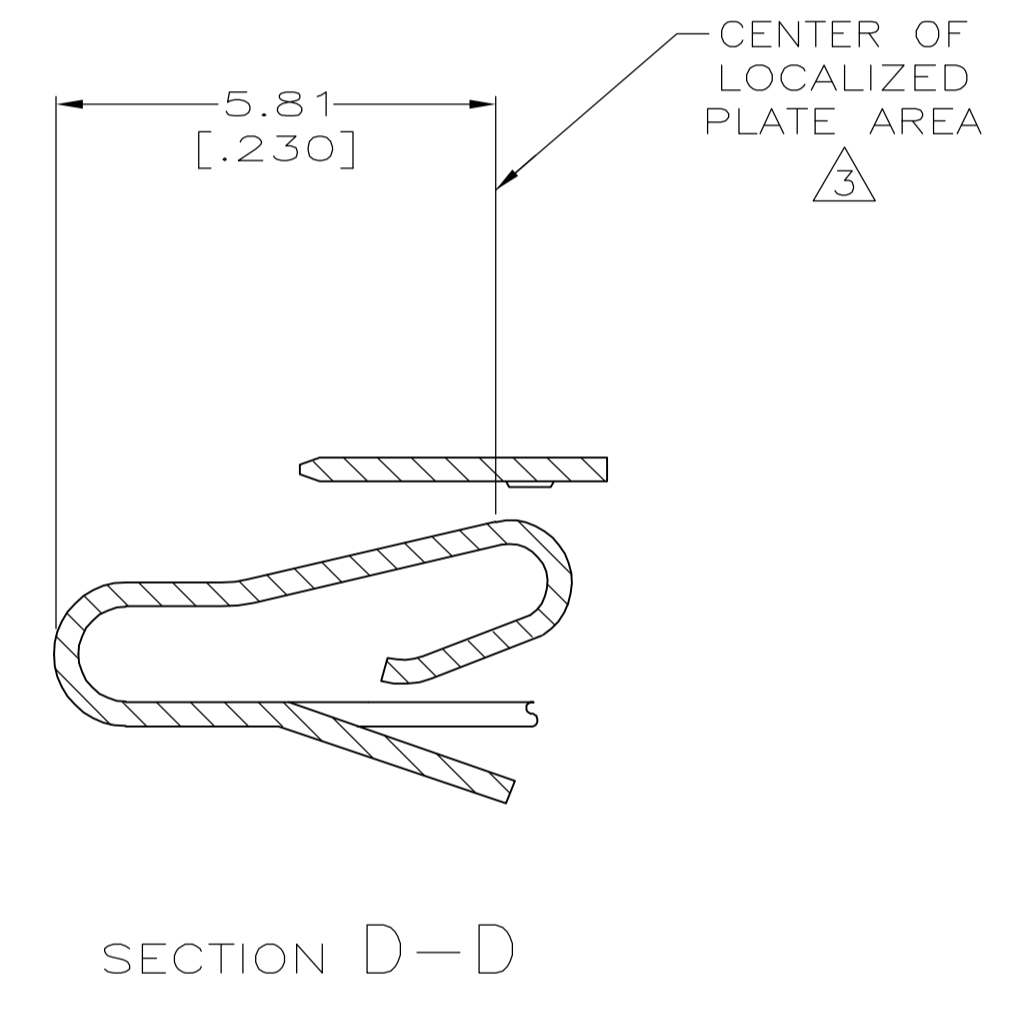
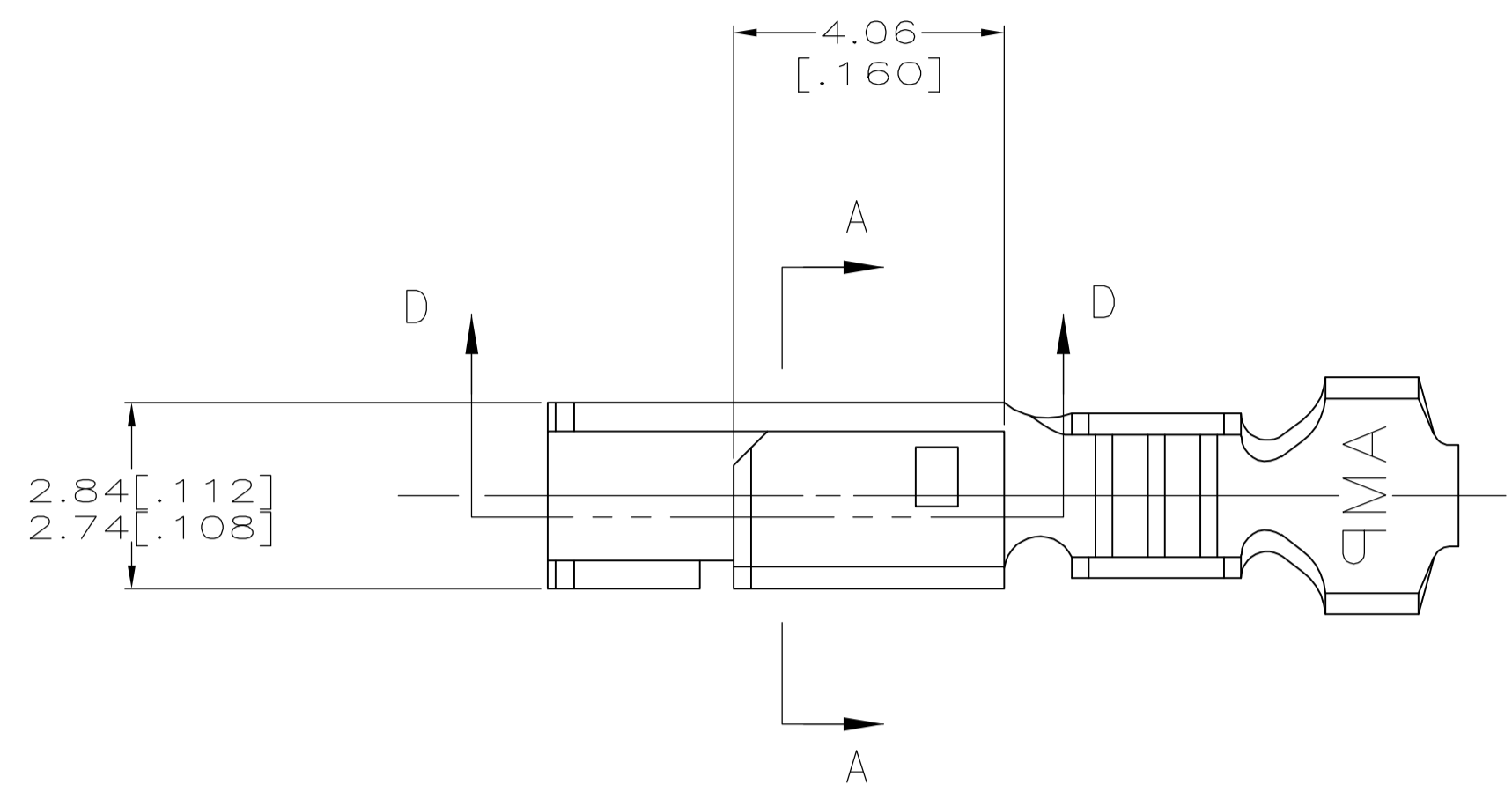
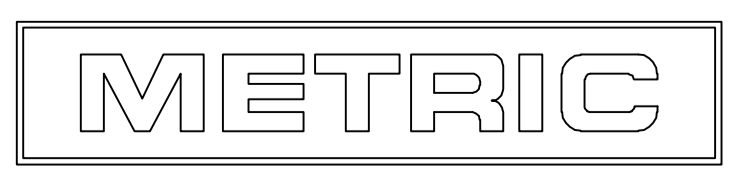


LOC		DIST		REVISIONS			
P	LTR	DESCRIPTION	DATE	DWN	APVD		
A		REVISED PER 063B-1213-04	9/9/05	SS	JE		

- INSULATION RANGE: 1.78-2.84 [.070-.112]
 WIRE RANGE: 0.2-0.9 mm² (24-18) AWG.
- 0.00203 [.000080] MIN BRIGHT TIN-LEAD OVER
 0.00127 [.000050] MIN NICKEL.
- 0.00076 [.000030] MIN THICK GOLD STRIPES IN
 LOCALIZED PLATE AREA ON BEAM AND DIMPLE OVER
 0.00127 [.000050] MIN THICK NICKEL OVER ENTIRE
 CONTACT.
- DIMENSIONS IN BRACKETS ARE IN INCHES.
- FOR USE ONLY WITH LID STYLE HOUSING.
- 0.00203 [.000080] MIN BRIGHT TIN OVER
 0.00127 [.000050] MIN NICKEL.



FINISH	POST PLATE	PRE-PLATE		
6	—	—	PHOS BRONZE	3-647409-1
—	3	—	PHOS BRONZE	647409-2
2	—	—	PHOS BRONZE	647409-1



THIS DRAWING IS A CONTROLLED DOCUMENT.

DIMENSIONS: mm [INCHES]	TOLERANCES UNLESS OTHERWISE SPECIFIED:	DWN: K. WHITAKER 15-JAN-2001	CHK: J. ELLIS 15-JAN-2001	APVD: J. ELLIS 15-JAN-2001	NAME: J. ELLIS	tyco Electronics	Tyco Electronics Corporation Harrisburg, Pa 17105-3608
0 PLC ± -	1 PLC ± -	2 PLC ± -	3 PLC ± -	4 PLC ± .005	ANGLES ± -	FINISH	
MATERIAL: SEE TABLE	FINISH: -	WEIGHT: -	SIZE: 114-1021	CAGE CODE: 108-1049	DRAWING NO: 100779	RESTRICTED TO: -	
CUSTOMER DRAWING			SCALE: 10:1	SHEET: 1 of 1	REV: A		